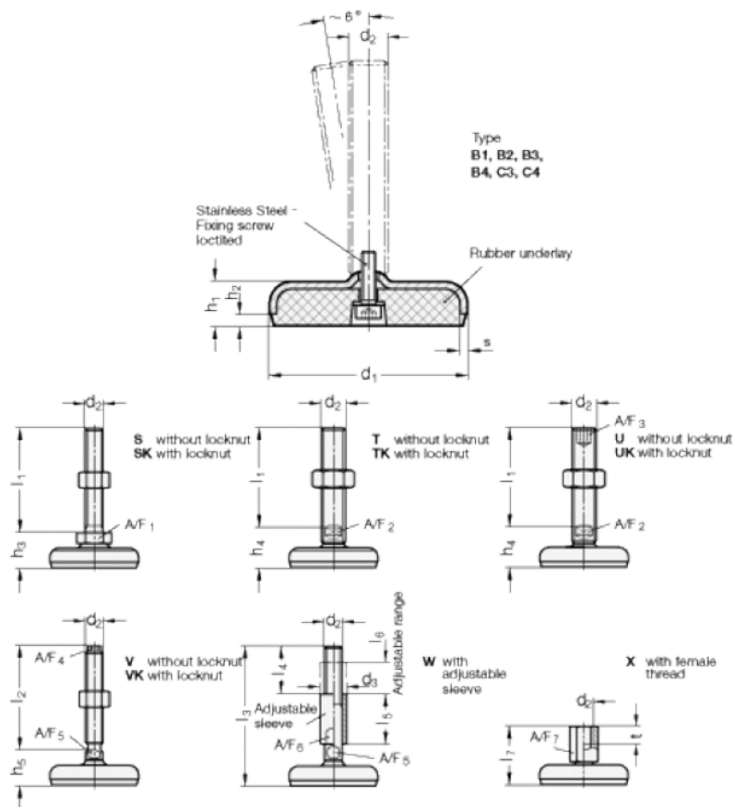


Article number: 2031100M16100B2TK  
 Description: E+G levelling foot  
 GN 31-100-M16-100-B2-TK  
 Note: TK With nut, Wrench flat at the bottom

## Measures



A/F2	= 12
d1	= 100
d2	= 16
h1	= 20
h2	= 6
h4 +4.0/0	= 34
l2	= 100
s	= 3